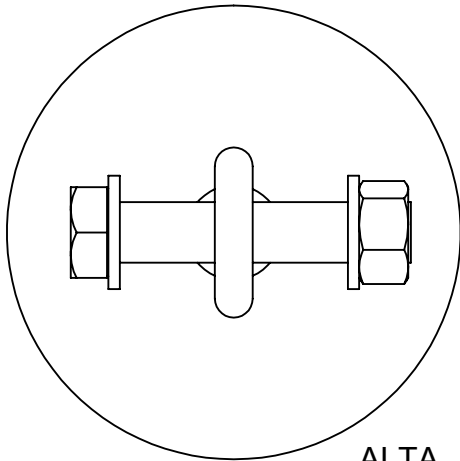
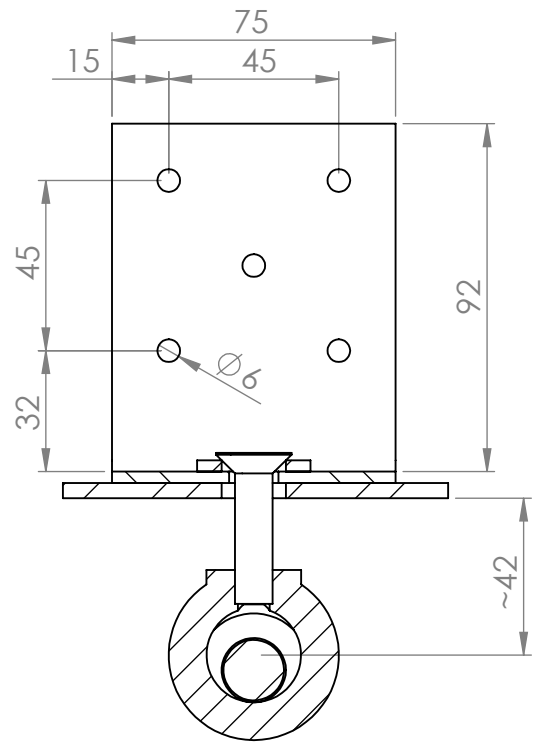


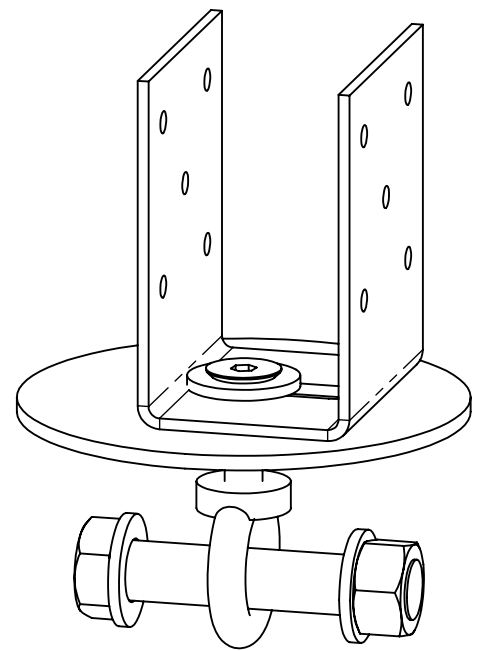
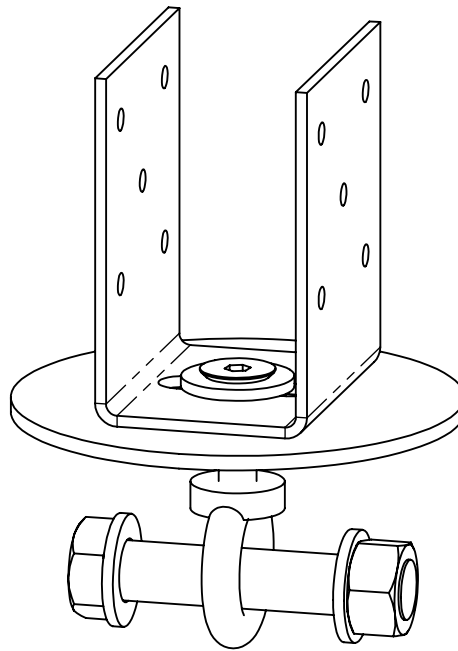
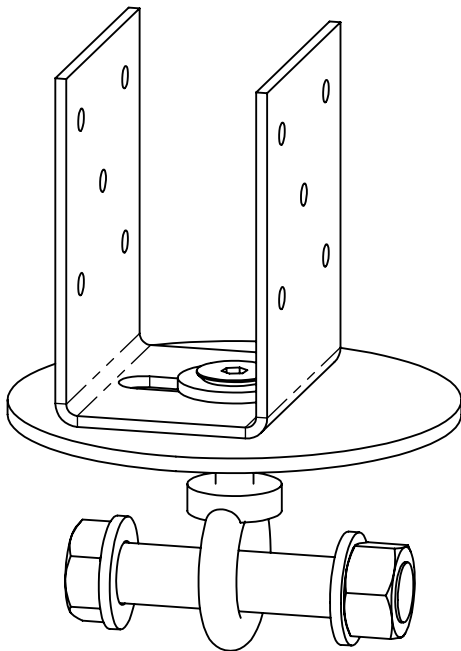
PÄÄLTÄ



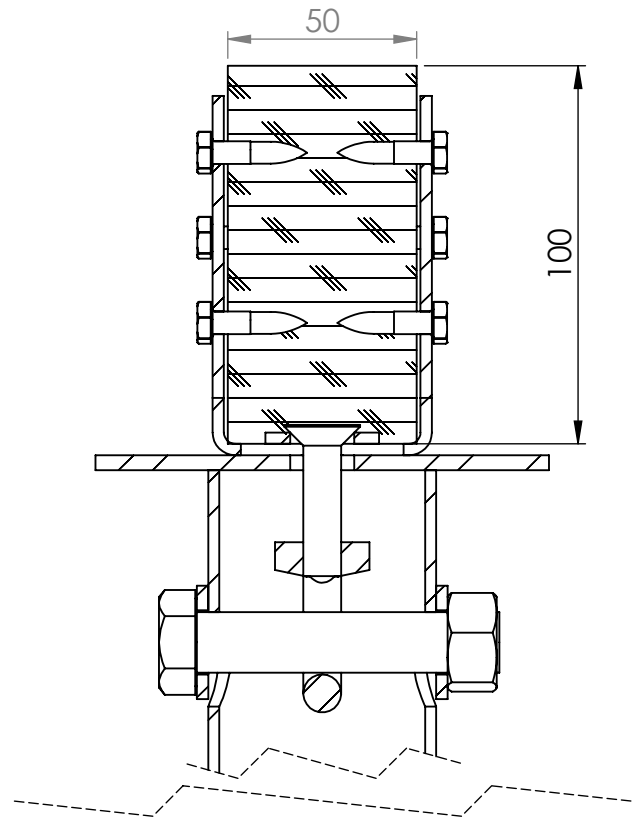
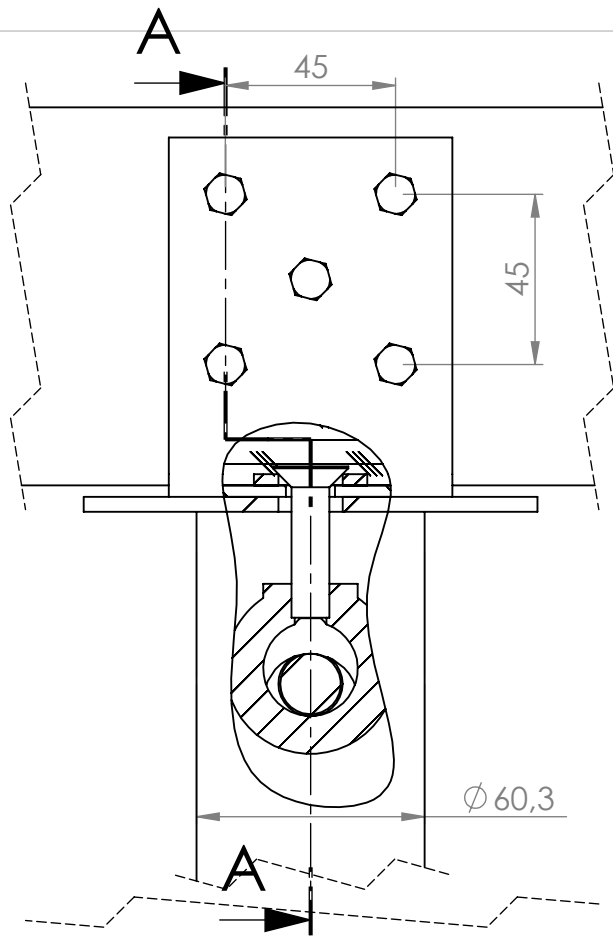
ALTA



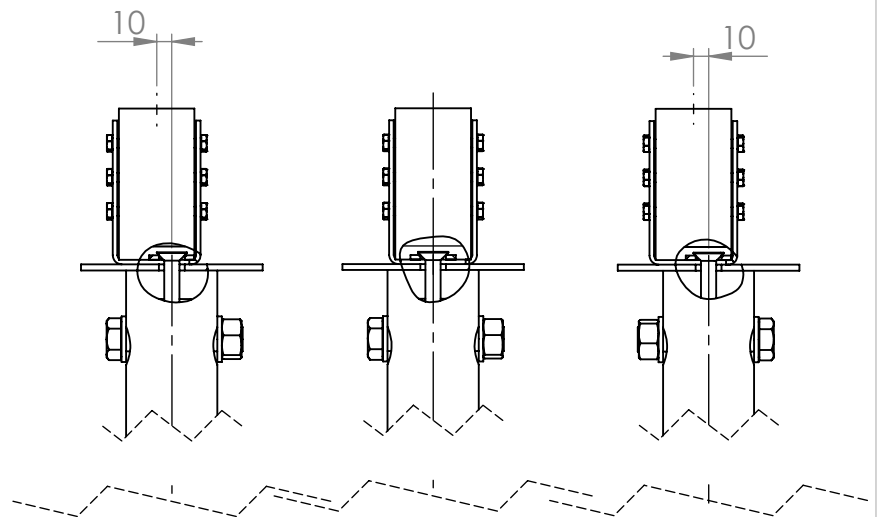
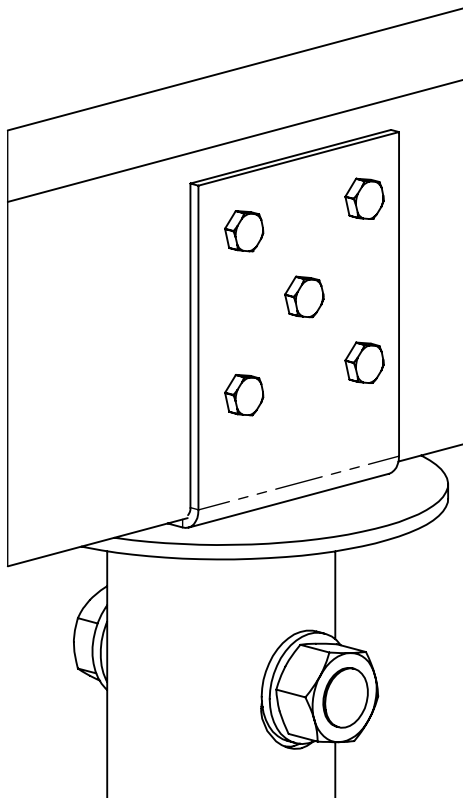
SECTION B-B
SCALE 1 : 2





Scale 1:2	Dwg type A4P	Total weight kg					
Measures mm	Surface texture Ra (um)	General tolerance	Material weight kg	Rev.	Times	Change	Date Name
			Drawn				Dwg No. U50 H
			Check.				
			Appr.				
U-kenkä 2" vaakajuoksulle	Part	pcs	Job No.	Description U-kenkä 2" vaakajuoksulle			
Belongs to							
Man. Code							
OEM Code							



SECTION A-A
SCALE 1 : 2



Scale 1:2	Dwg type	Total weight	kg						
	Dwg size A4P	Material weight	kg	Rev.	Times	Change	Date	Name	
Measures mm	Surface texture Ra (um)	General tolerance	Drawn					Dwg No.	
			Check.					U50 H	
			Appr.						
Kokoonpano	Part	pcs	Job No.	Description					
Belongs to				U-kenkä 2" vaakajuoksulle					
Man. Code									
OEM Code									