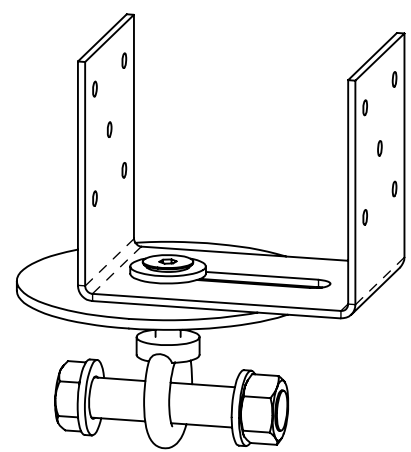
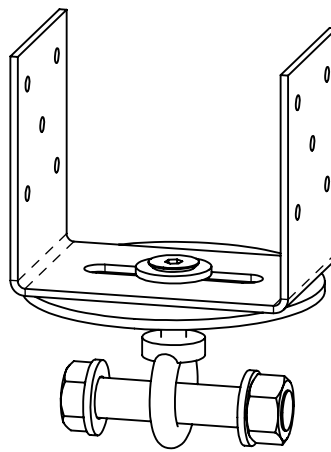
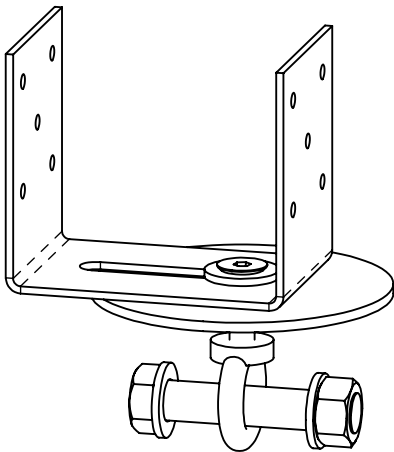
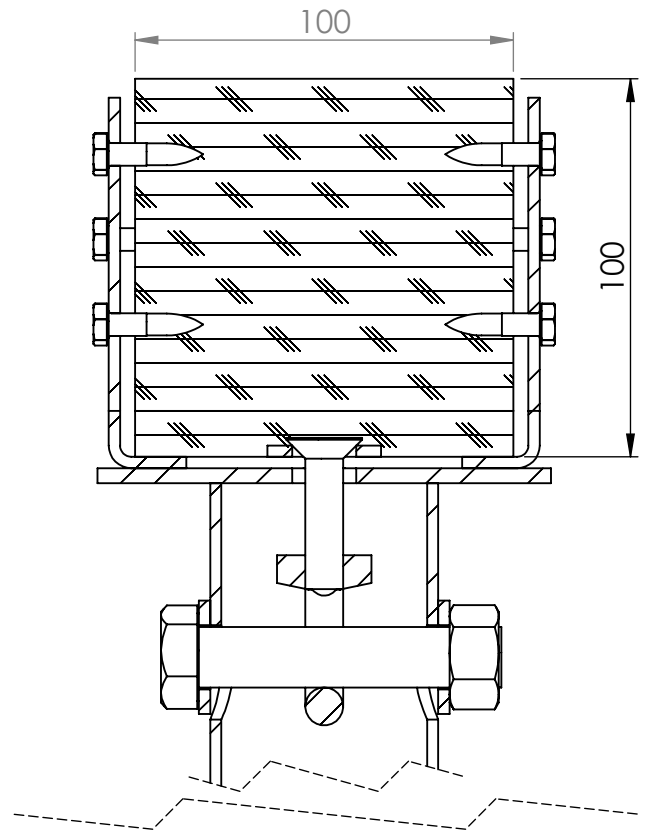
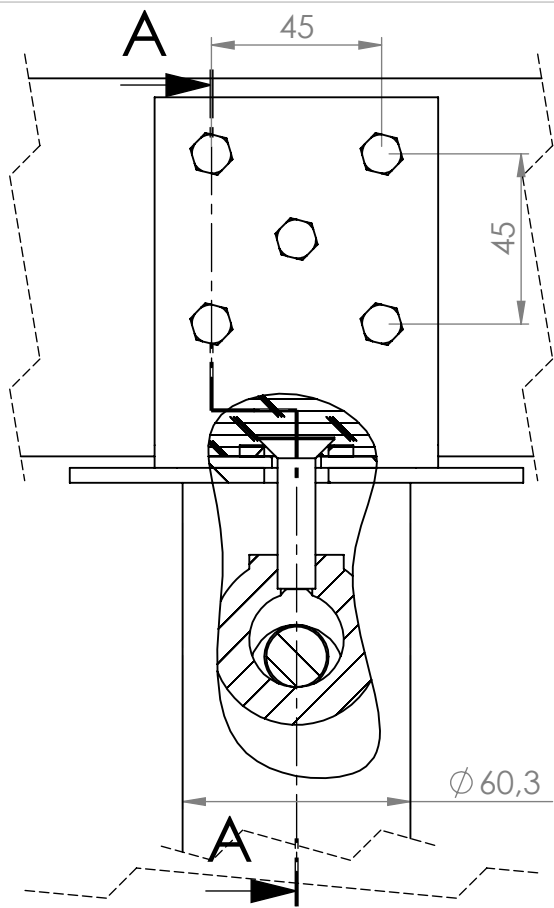


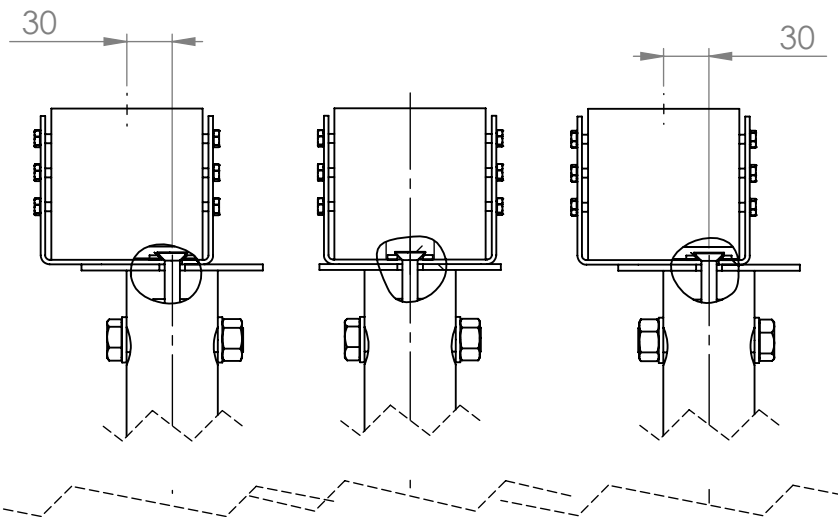
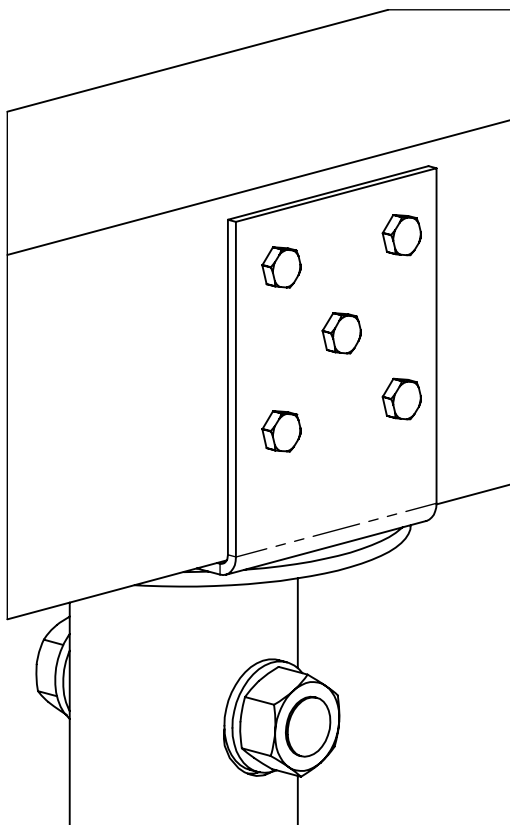
SECTION B-B
SCALE 1 : 2





Scale 1:2	Dwg type Dwg size A4P	Total weight kg							
Measures mm	Surface texture Ra (um)	General tolerance A4P	Material weight kg	Rev.	Times	Change	Date	Name	
			Drawn				Dwg No. U100 H		
			Check.						
			Appr.						
U-kenkä 4" vaakajuoksulle		Part	pcs	Job No.	Description U-kenkä 4" vaakajuoksulle				
Belongs to									
Man. Code									
OEM Code									



SECTION A-A
SCALE 1 : 2



Scale 1:2	Dwg type	Total weight	kg						
	Dwg size A4P	Material weight	kg	Rev.	Times	Change	Date	Name	
Measures mm	Surface texture Ra (um)	General tolerance A4P	Drawn					Dwg No. U100 H	
			Check.						
			Appr.						
Kokoonpano	Part	pcs	Job No.	Description U-kenkä 4" vaakajuoksulle					
Belongs to									
Man. Code									
OEM Code									