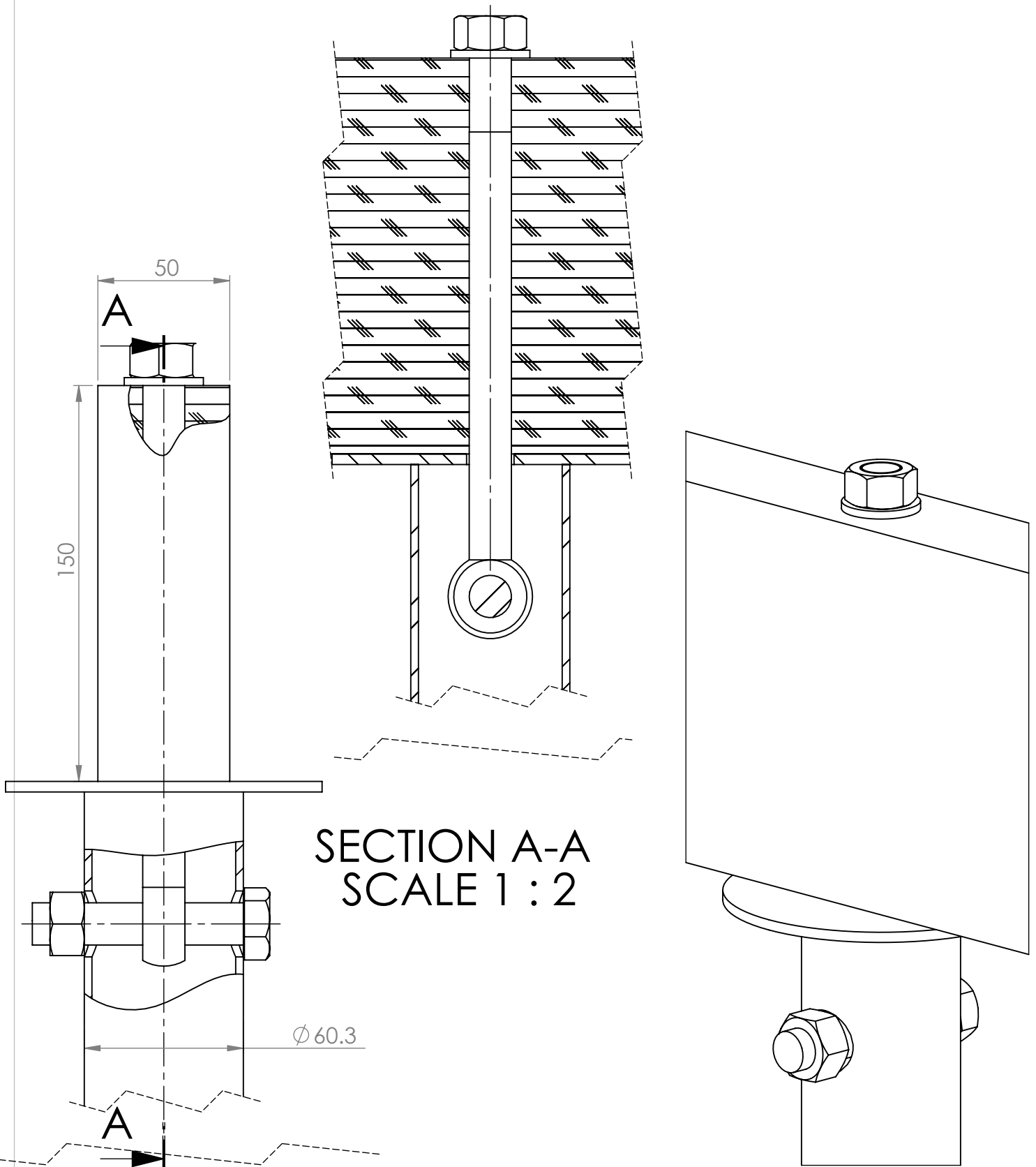


Scale 1:2	Dwg type A4P	Total weight kg						
Measures mm	Surface texture Ra (um)	General tolerance	Material weight kg	Rev.	Times	Change	Date	Name
			Drawn					
			Check.					
			Appr.					
Valmistus1			Part		pcs	Job No.		Description
Belongs to							Pulttikiinnike, kiinnitysväli 150mm	
Man. Code								
OEM Code								



Dwg No.
P150



SECTION A-A
SCALE 1 : 2

Scale 1:2	Dwg type A4P	Total weight kg						
	Dwg size	Material weight kg	Rev.	Times	Change	Date	Name	
Measures mm	Surface texture Ra (um)	General tolerance	Drawn					
			Check.					
			Appr.					
Valmistus2			Part		pcs	Job No.		Description
Belongs to								Dwg No. P150
Man. Code								
OEM Code								
								Pulttikiinnike, kiinnitysväli 150mm

