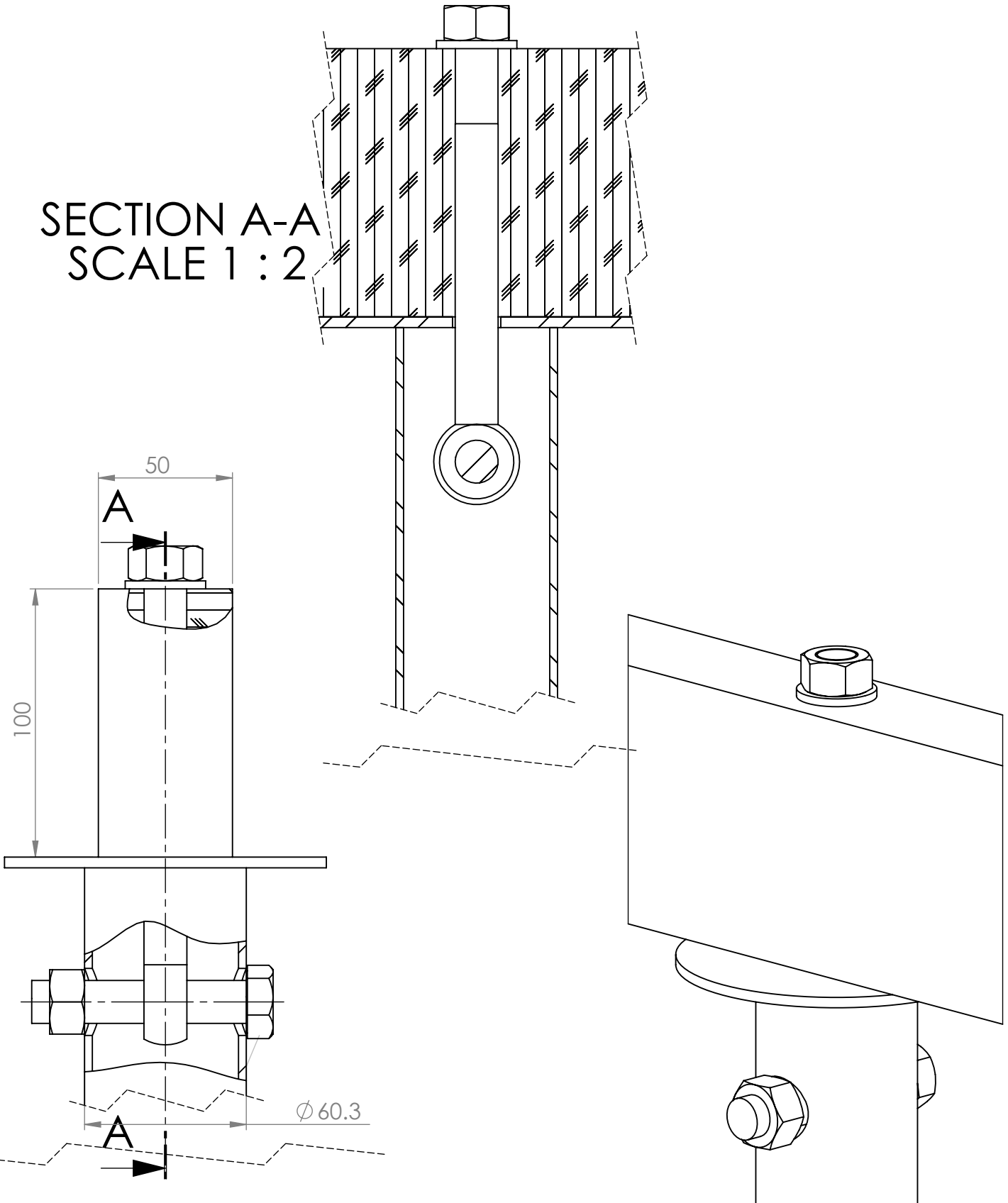


Scale 1:2	Dwg type A4P	Total weight kg					
Measures mm	Surface texture Ra (μm)	Material weight kg	Rev.	Times	Change	Date	Name
		Drawn					
		Check.					
		Appr.					
Pulttikiinnike, kiinnitysväli		Part	pcs	Job No.	Description		
Belongs to					Pulttikiinnike, kiinnitysväli 100mm		
Man. Code							
OEM Code							

PaaluPiste Oy

Dwg No.
P100

SECTION A-A
SCALE 1 : 2



This drawing is property of ELEMATIC OY and is not allowed to be used in any way against the interests of ELEMATIC OY

Scale	Dwg type	Total weight	kg						
1:2	Dwg size	Material weight	kg	Rev.	Times	Change	Date	Name	
	A4P	Drawn							
Measures mm	Surface texture	General tolerance							
	Ra (um)								
Kokoonpano			Part	pcs	Job No.	Description			
Belongs to									
Man. Code									
OEM Code									
						Dwg No.	P100		
						Pulttikiinnike, kiinnitysväli 100mm			