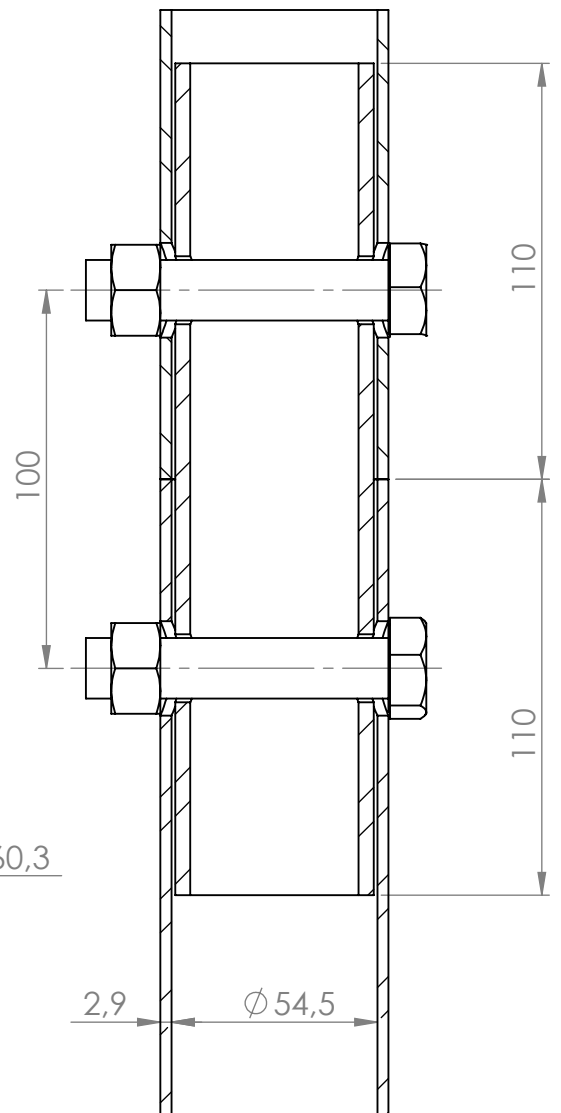


SECTION A-A
SCALE 1 : 2



Scale 1:2	Dwg type Dwg size A4P	Total weight kg					
Measures mm	Surface texture Ra (um)	General tolerance	Material weight kg	Rev.	Times	Change	Date Name
			Drawn				
			Check.				
			Appr.				
Valmistus1			Part		pcs	Job No.	
Belongs to			Description				
Man. Code			Jatkoholkki 60,3x2,9mm putkien liittämiseen				
OEM Code							



Dwg No.
D/60.3_2.9