

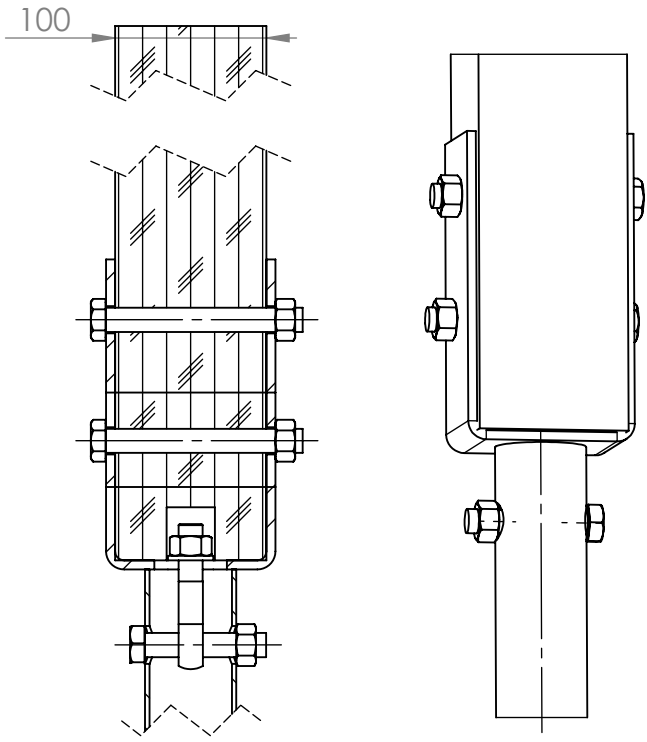
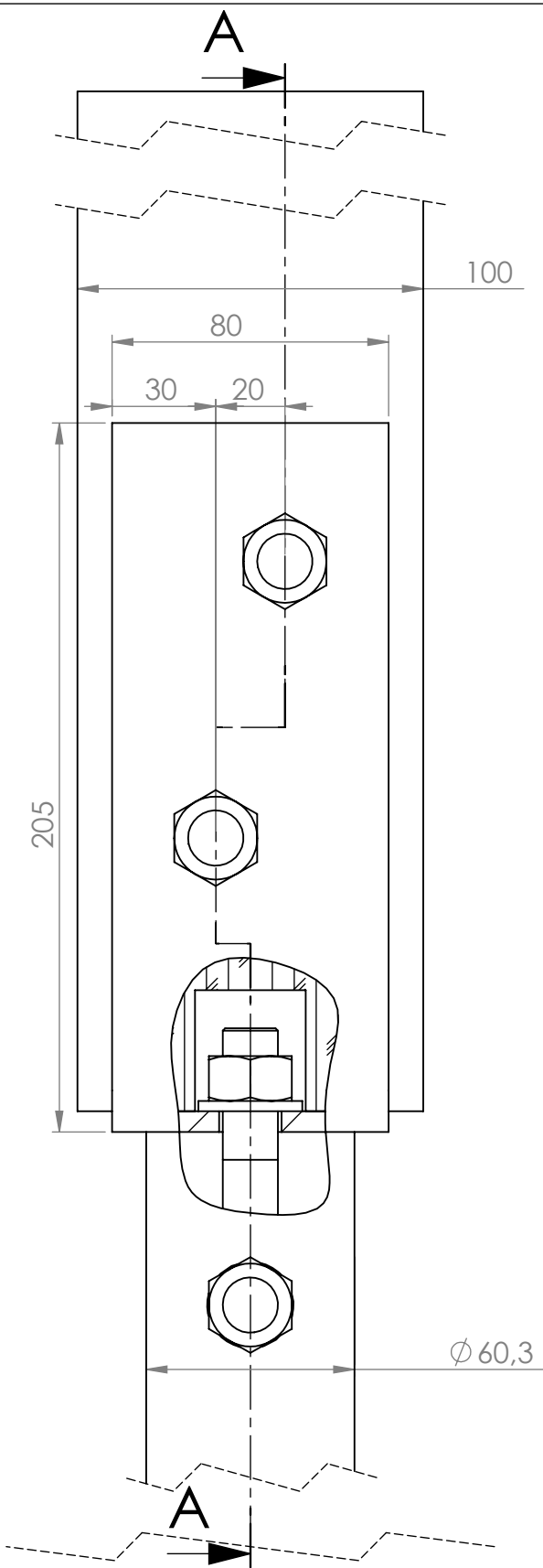


Scale	Dwg type	Total weight	kg										
1:2	Dwg size	Material weight	kg										
	A3L			Rev.	Times	Change	Date	Name					
Measures mm	Surface texture	General tolerance	Drawn						Dwg No.				
	Ra (μm)		Check.						U100 V				
			Appr.										
U-kenkä 100mm pilarille		Part	pcs	Job No.	Description								
Belongs to					U-kenkä 100mm pilarille								
Man. Code													
OEM Code													



SECTION A-A
SCALE 1 : 5

Scale 1:2	Dwg type A4P	Total weight kg					
Measures mm	Surface texture Ra (um)	General tolerance	Material weight kg	Rev.	Times	Change	Date Name
			Drawn				Dwg No. U100 V
			Check.				
			Appr.				
Kokoonpano	Part	pcs	Job No.	Description U-kenkä 100mm pilarille			
Belongs to							
Man. Code							
OEM Code							